



Minipack-torre S.p.A.
Via Provinciale, 54 - 24044 Dalmine (BG) - Italy
Tel. (035) 563525 – Fax (035) 564945
E-mail: info@minipack-torre.it
<http://www.minipack-torre.it>



CONFEZIONATRICE SOTTOVUOTO
VACUUM PACKING MACHINE

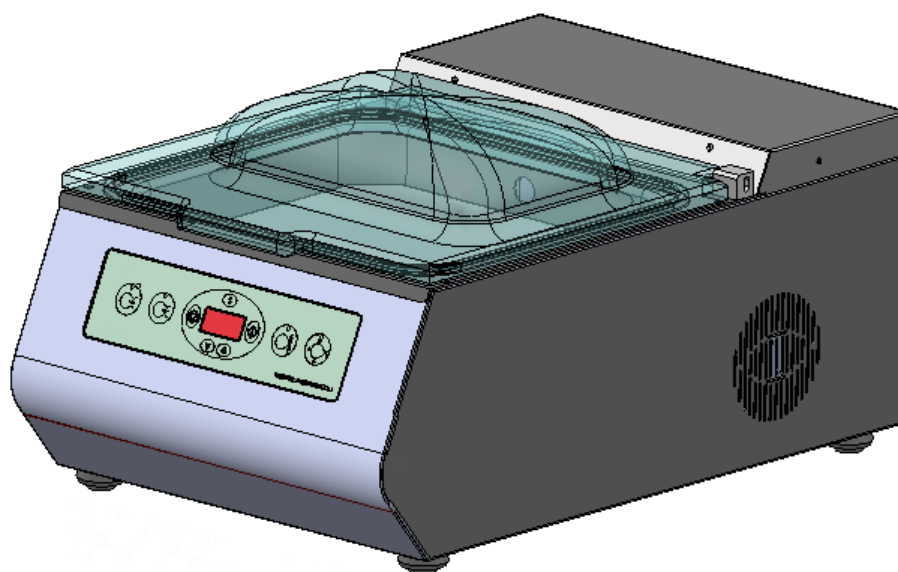
MV35X

Catalogo ricambi

(Valido dalla matricola nr. 353923 del 09.2010)

Spare parts catalogue

(Valid from serial number 353923 dated 09.2010)



CONSULTARE ATTENTAMENTE QUESTO CATALOGO PRIMA DI ORDINARE PEZZI DI RICAMBIO
CAREFULLY READ THIS CATALOGUE BEFORE ORDERING ANY SPARE PART



DOC. N. FM112204
REV. 0
Ed: 04.2012

LEGENDA PARTICOLARI / ITEMS DESCRIPTION

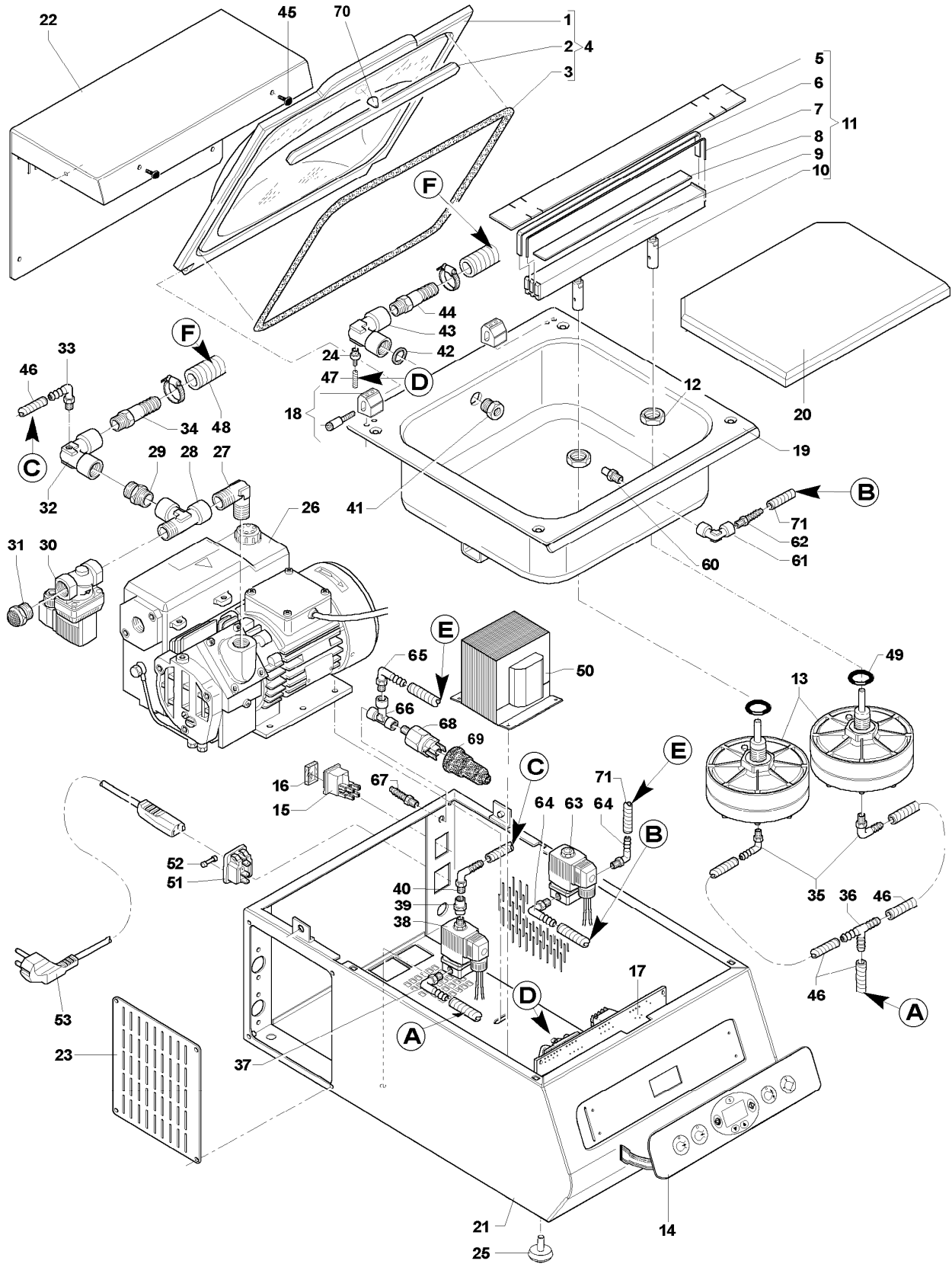
Pos. Pos.	Codice Code	Descrizione Description
1	FM080081	Coperchio bombato / Convex cover
2	FM350200	Profilo controbarra in silicone / Silicone counterbar profile
3	KR991066	Guarnizione in gomma / Rubber gasket
4	KR350006	Kit coperchio bombato / Convex cover kit
5	KR991006	Kit teflon / Teflon kit
6	KR991003	Kit piattina saldante / Sealing strap kit
7	KR991004	Kit filo di taglio / Cutting edge kit
8	KR350024	Kit teflon bianco 25X1 / White Teflon kit 25X1
9	FM050060	Barra saldante / Sealing bar
10	FM340058	Bussola Multicontact / Multicontact bush
11	BS350002	Gruppo barra saldante / Sealing bar group
12	FM160089	Controdado 1/2" / Lock nut 1/2"
13	ME450001	Gruppo membrana / Membrane group
14	FE120616	Tastiera a membrana / Membrane keyboard
15	FE190030	Interruttore generale / Main switch
16	FE190040	Cappuccio per interruttore / Cap for main switch
17	FE120248	Scheda elettronica 230V / Electronic board 230V
	FE120249	Scheda elettronica 120V ETL / Electronic board 120V ETL
18	KR350015	Kit cerniere / Hinge kit
19	FM090872	Vasca / Tray
20	FM240055	Tavoletta 310X230X25 / Insert plate 310X230X25
20.01	FM240062	Tavoletta 310X230X10 (solo per 120V) / Insert plate 310X230X10 (for 120V only)
21	FM090799	Carrozzeria / Body
22	FM090873	Pannello posteriore (230V) / Rear panel (230V)
	FM090874	Pannello posteriore (120V) / Rear panel (120V)
23	FM095109	Pannello laterale / Side panel
24	FM160185	Raccordo / Union
25	FM330001	Piedino / Foot
26	FM730009	Pompa 10mc 230V / Pump 10mc 230V
	GM670021	Olio VG032 per pompa 230V (1lt) / Oil VG032 for pump 230V (1lt)
	FM720238	Cartuccia disoleatore per pompa / Exhaust filter for pump
	FM720239	O-ring per cartuccia / O-ring for exhaust filter
	FM730006	Pompa 10mc 120V ETL / Pump 10mc 120V ETL
	GM630026	Olio VM022 per pompa 120V (1lt) / Oil VM022 for pump 120V (1lt)
	FM720238	Cartuccia disoleatore per pompa / Exhaust filter for pump
	FM720239	O-ring per cartuccia / O-ring for exhaust filter
27	FM750301	Raccordo a L m.m. 1/2" / L-union m.m. 1/2"
28	FM750300	Raccordo a T m.f.f. 1/2" (230V) / T-union m.f.f. 1/2" (230V)
29	FM750229	Nipplo conico 1/2" / Taper nipple 1/2"
30	FE140012	Elettrovalvola rientro aria 230V / Air return solenoid valve 230V
	FE140015	Elettrovalvola rientro aria 120V / Air return solenoid valve 120V
31	FM750268	Silenziatore / Silencer
32	FM750331	Raccordo a L f.f. 1/2" / L-union f.f. 1/2"
33	FM750207	Raccordo curvo Ø6-1/8" / Curved union Ø6-1/8"
34	FM750209	Portagomma 1/2" x Ø20 / Rubber holder 1/2" x Ø20
35	FM750207	Raccordo curvo Ø6-1/8" / Curved union Ø6-1/8"
36	FM750253	Raccordo a T Ø6 / T-union Ø6
37	FM750207	Raccordo curvo Ø6-1/8" / Curved union Ø6-1/8"
38	FE140014	Elettrovalvola per saldatura 230V / Sealing solenoid valve 230V
	FE140016	Elettrovalvola per saldatura 120V / Sealing solenoid valve 120V
39	FM750220	Manicotto filettato 1/8" / Threaded sleeve 1/8"
40	FM750207	Raccordo curvo Ø6-1/8" / Curved union Ø6-1/8"

LEGENDA PARTICOLARI / ITEMS DESCRIPTION

Pos. Pos.	Codice Code	Descrizione Description
41	FM750274	Riduzione m.f. / M.f. reduction
42	FM160150	Rondella / Washer
43	FM750331	Raccordo a L 1/2" / L-union 1/2"
44	FM750209	Portagomma 1/2" x Ø20 / Rubber holder 1/2" x Ø20
45	FM510019	Gommino / Rubber tip
46	GM620046	Tube Armovinpress per alimenti Ø6x2,5 / Armovinpress tube for foodstuffs Ø6x2,5
47	GM620083	Tube silicone Øi2 Øe6 / Silicon tube Øi2 Øe6
48	GM620045	Tube Armovinpress per alimenti Ø20x2,5 / Armovinpress tube for foodstuffs Ø20x2,5
49	FM650103	Guarnizione OR 4106 / Gasket OR 4106
50	FE440560 FE440561	Trasformatore 200VA (230V) / Transformer 200VA (230V) Trasformatore 200VA (120V ETL) / Transformer 200VA (120V ETL)
51	FE310052	Spina da incasso (solo x 230V) / In-built plug (for 230V only)
52	FE290126 FE290701	Fusibile 5X20 T6,3A (230V) / Fuse 5X20 T6,3A (230V) Fusibile 10.3X38 15A FNQ (120V ETL) / Fuse 10.3X38 15A FNQ (120V ETL)
53	FE310112	Cavo alimentazione (solo x 230V) / Power supply cable (for 230V only)
55	FE320003	Pressacavo PG11+ghiera (solo x 120V ETL) / Cable holder PG11+ring nut (for 120V ETL only)
56	FE190028	Interruttore magnetotermico (solo x 120V ETL) / Magneto-thermal switch (for 120V ETL only)
57	FE110401	Contattore LC1-D09F7 (solo x 120V ETL) / Contactor LC1-D09F7 (for 120V ETL only)

	KR350A00 KR350E00	Kit gas 230V (optional) / Gas kit 230V (optional) Kit gas 120V (optional) / Gas kit 120V (optional)
60	FM160081	Ugello gas / Gas nozzle
61	FM750216	Raccordo a L f.f. 1/8" / L-union f.f. 1/8"
62	FM750247	Raccordo diritto Ø6-1/8" / Straight union Ø6-1/8"
63	FE140013 FE140017	Elettrovalvola per gas 230V / Solenoid valve for gas 230V Elettrovalvola per gas 120V / Solenoid valve for gas 120V
64	FM750207	Raccordo curvo Ø6-1/8" / Curved union Ø6-1/8"
65	FM750207	Raccordo curvo Ø6-1/8" / Curved union Ø6-1/8"
66	FM750213	Raccordo a T f.f.f. 1/8" / T-union f.f.f. 1/8"
67	FM750279	Portagomma maschio / Male rubber holder
68	FE470000	Pressostato / Pressure switch
69	FE470001	Cappuccio per pressostato / Cap for pressure switch
70	FM350045	Gommino ferma buste / Envelope holder rubber washer
71	GM620046	Tube Armovinpress x alimenti Ø6x2,5 / Armovinpress tube x foodstuffs Ø6x2,5

Versione 230V / 230V version



Versione 120V / 120V version

